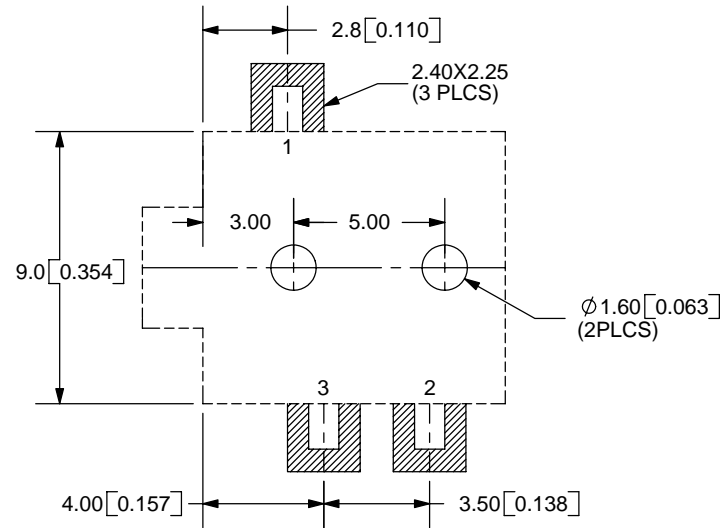
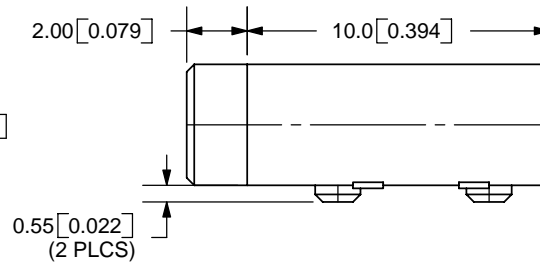
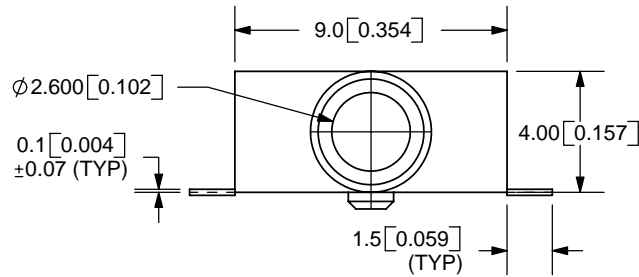
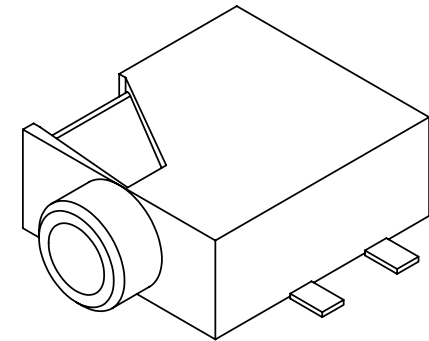
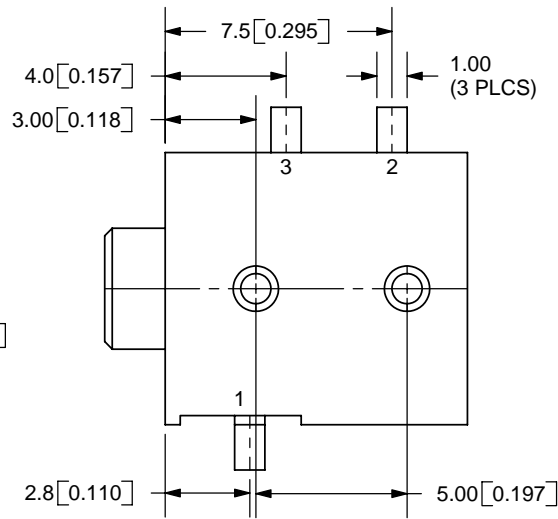


REV.	DESCRIPTION	DATE
A	NEW DRAWING	11/9/2005



PCB LAYOUT
TOP VIEW



TOLERANCE:
X.X ±0.2mm
X.XX ±0.1mm
X.XXX ±0.05mm



SPECIFICATIONS:
 RATING: 12V DC @ 1A
 CONTACT RESISTANCE: 30m OHMS MAX
 INSULATION RESISTANCE: 50M OHMS MIN: 500V DC
 VOLTAGE WITHSTAND: 500V AC R.M.S. FOR 1 MINUTE
 LIFE: 5,000 CYCLES

MODEL NO.	MJ1-2510-SMT
SCHMATIC	

PC FILE NAME:
MJ1-2510-SMT

COPYRIGHT 2005 BY CUI INC.

	MATERIAL	PLATING	TITLE: 2.5mm SMT AUDIO JACK-MONO	REV: A
TERMINAL 1	Copper Alloy	Gold	PART NO. MJ1-2510-SMT	UNITS: MM [INCHES]
TERMINAL 2	Copper Alloy	Gold		
TERMINAL 3	Brass	Gold	DRAWN BY: ZRJ	APPROVED BY:
HOUSING	PA6T			



9615 SW Allen Blvd., Ste. 103
 Beaverton, OR 97005
 Phone: 503-643-4899
 800-275-4899
 Fax: 503-372-1266
 Website: www.cui.com